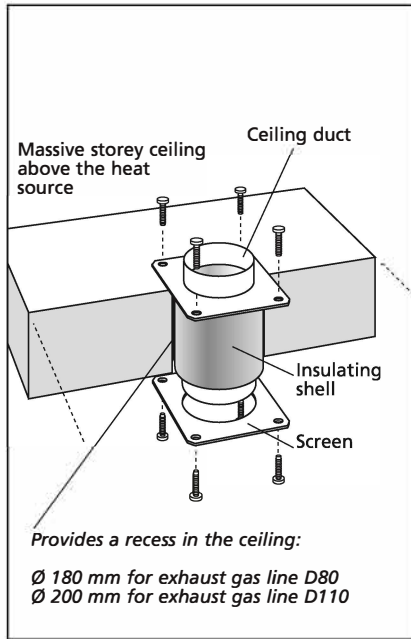
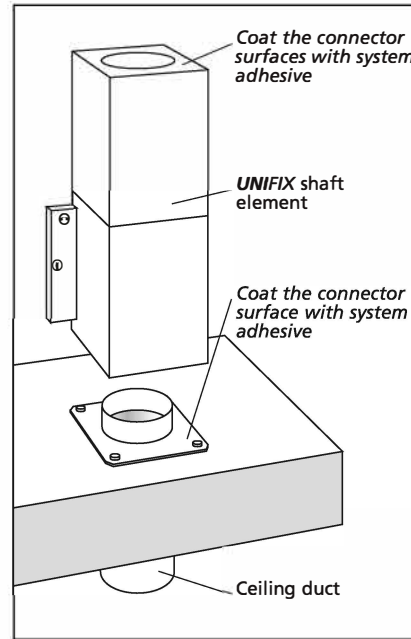


# Installation procedure

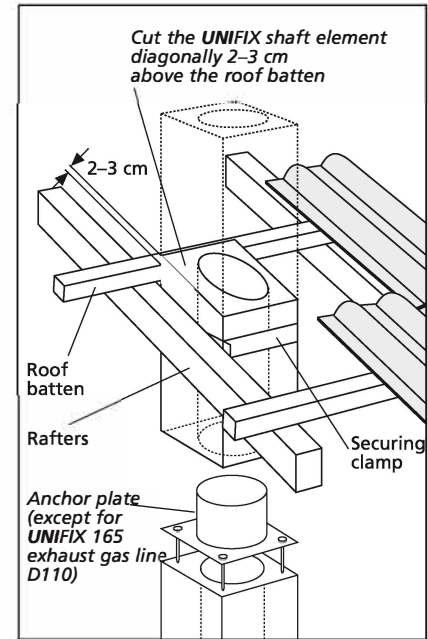
## 1 Installing the ceiling duct



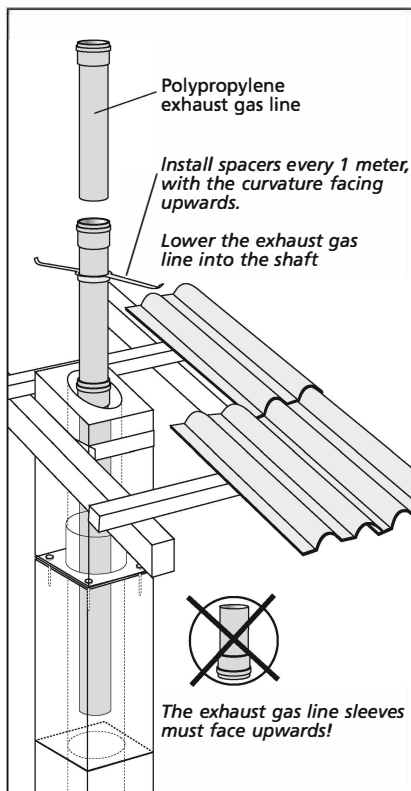
## 2 Installing the shaft elements



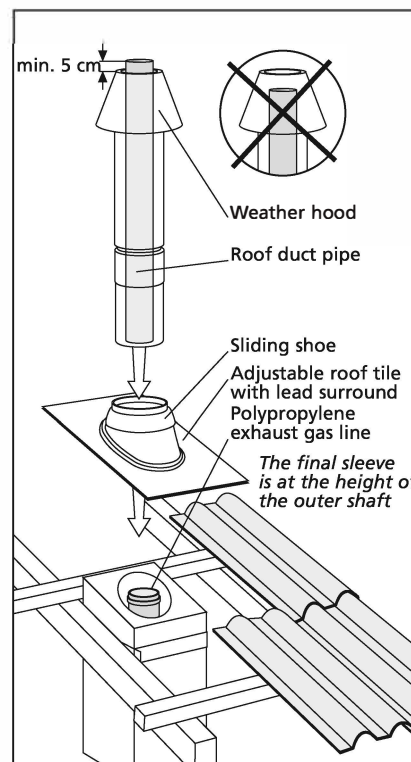
## 3 Installing the shaft in the roof area



## 4 Installing the exhaust gas line



## 5 Installing the roof duct and adjustable roof tile



## 6 Installing the connector T-piece

