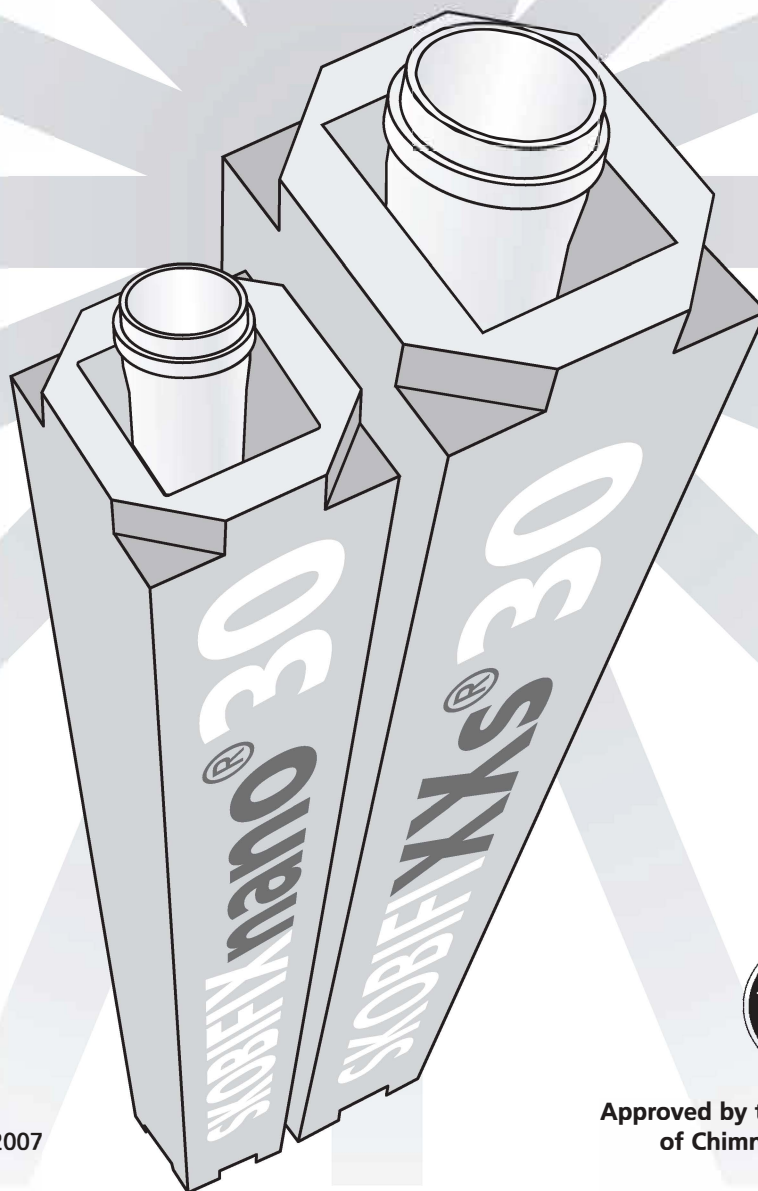


Installation Guide

SKOBIFIXnano® 30 SKOBIFIXxs® 30



Latest revision: February 2007



Approved by the German Association
of Chimney Sweepers (ZIV)

Installation guide

General guidelines

SKOBIFIX[®] nano[®]/XXs[®] 30 is assembled as a modular system. The parts are connected with the SKOBIFIX[®] system adhesive in a durable and permanent way.

The system can be installed in buildings at the shell construction stage. Precautions must be taken to prevent moisture from entering the system (i.e. from rain). SKOBIFIX[®] nano[®]/XXs[®] 30 starts above the ceiling of the floor where the heating appliance is located and continues up to the roofing panel.

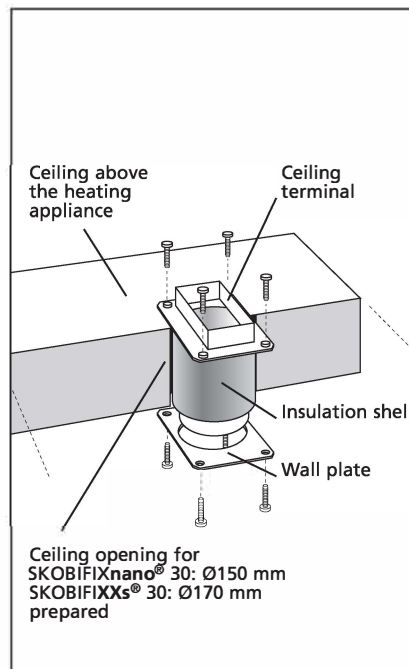
The system ends at the coaxial roof terminal with the pitched roof tile/ flat flashing.

The rotatable ceiling connection adapter creates the connection to the gas or oil condensing boiler.

Next, the SKOBIFIX[®] nano[®]/XXs[®] 30 outer jacket is assembled starting at the ceiling located above the heating appliance. Once it is finished up to the roofing panel, the PPs pipe for flue outlet is introduced at the top. Finally, the connecting T-piece connects the coupler to the heating appliance.

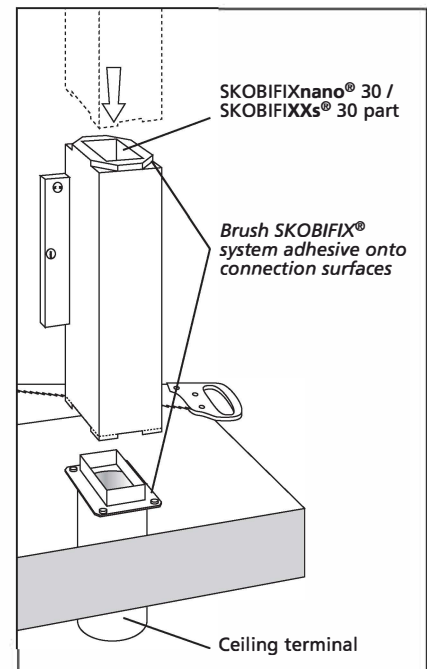
The ceiling openings have either already been planned at this stage or must first be created. The shaft is to be assembled vertically. Rafters or similar items that are in the way must be replaced.

It is not possible to warp the shaft.



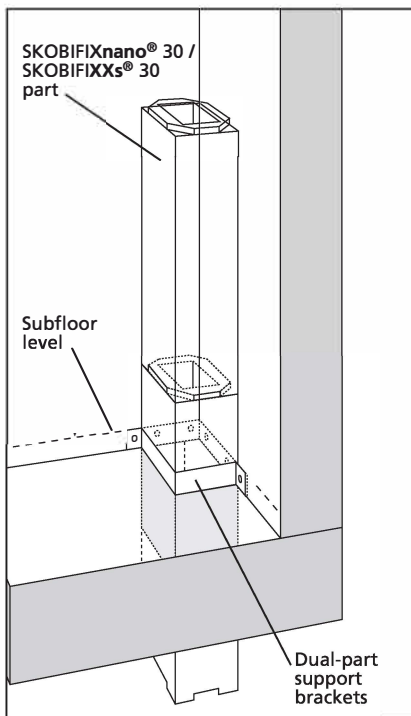
1. Installing the ceiling terminal

- Prepare an opening of approx. Ø150 mm/nano[®] and approx. Ø170 mm/XXs[®] in the ceiling of the floor above the heating appliance. Clean the surface underneath and create a level surface. Insert the ceiling terminal with its insulation shell from above. Secure it to the ceiling using the screws included. In cases where the opening is square or larger in shape, fill in the remaining open area using either non-combustible materials that are dimensionally stable or concrete. Larger ceiling openings may also be closed up using other suitable construction methods.
- If required, apply mortar bed to the ceiling and position the ceiling connection adapter vertically.
- Cut the insulation shell to fit to the size of the ceiling.
- Mount the wall plate from below and secure to the ceiling on the bottom side using the set of screws included



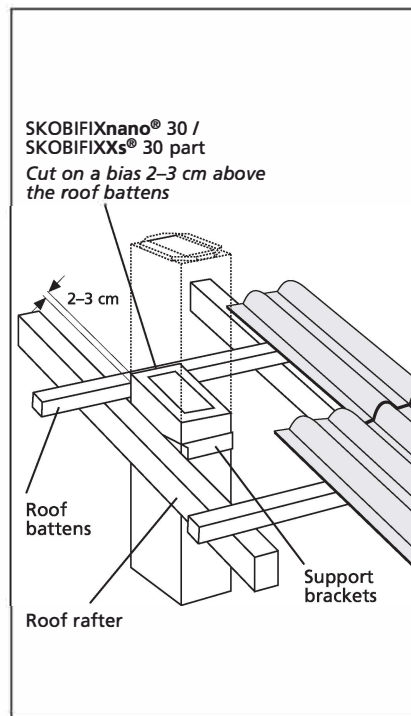
2. Installing the shaft parts

- Saw off the feet on the bottom end of the first shaft part using a builder's saw so that the bottom end of the shaft has a straight edge.
- Brush SKOBIFIX[®] system adhesive onto the flange of the ceiling connection adapter (connection surface). Place the first shaft part over the flange of the ceiling connection adapter using the grooved side and adjust it so that it is vertical.
- Put the other shaft parts together. For this assembly, paste the connection surfaces together using SKOBIFIX[®] special adhesive. Apply the adhesive to the entire surface, using a thickness of about 2mm. Brush any excess adhesive onto the outer surfaces afterwards.
- Fill in any ceiling openings that are too large using non-combustible materials that are dimensionally stable.



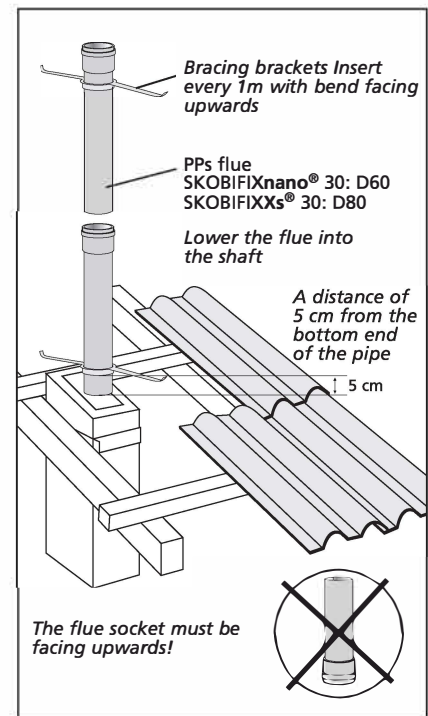
3. Installing the support brackets

- The first support bracket must be placed above the following ceiling or no higher than 2.80m. The brackets cannot be applied later on in the subfloor level.
- The brackets may be inserted vertically or transversely. Secure them to the applicable construction component using the set of screws included.
- Paste the insulation insert inside the bracket.
- Support and reinforcement within the ceiling may also be provided by fastening wedges or other types of anchoring. A comparable level of stability must be ensured.



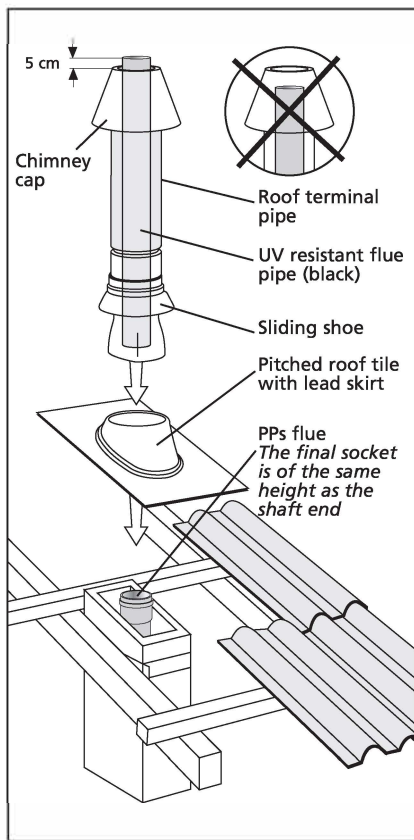
4. Installing the shaft in roof rafters

- If required, replace rafters that are in the way.
- Place SKOBIFIXnano®/XXs® 30 over the rafters using the last part and adjust to the roof pitch.
- First lay the last part "dry" on top and mark the roof pitch. Cut the part on a bias approx. 2-3cm above the level of the roof battens. This adjustment can be made using a coarse blade saw.
- Next, secure the adjusted part using adhesive and the support bracket. Reinforcement is necessary at this position due to the strain of wind and snow.
- Support may also be provided by roof battens.
- Vapour barriers, underlayments and other methods of sealing the roof must be installed according to technical rules.



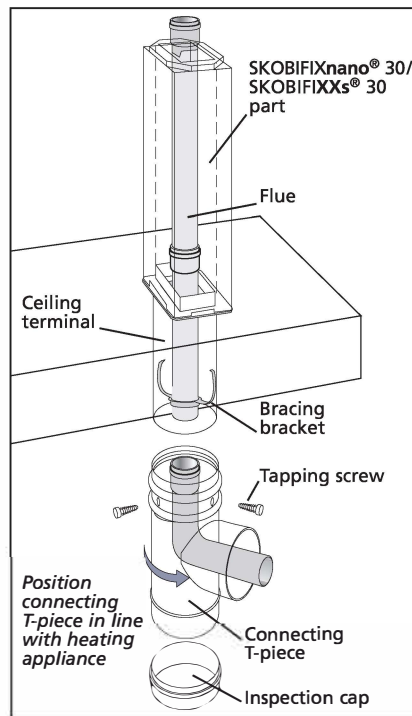
5. Installing the flue

- The flue is lowered from above into the shaft.
- Perform a conventional cleaning on the sockets and shank end of the PP's pipe prior to installation and trim the edges of cut parts.
- Check that the seal fits tightly
- Insert the flue pipes into each other with the socket facing upwards.
- A bracing bracket is to be put over the flue at every 1m interval. The curved ends must be facing upwards.
- Position the first bracing bracket approx. 5cm above the pipe end. This secures the pipe stack when gas is discharged from the flue.
- The flue ends below in the room where the heating appliance is set up, 1-2cm below the air-inlet pipe of the ceiling connection adapter.
- Adjust the final PP's pipe above the roof so that the socket ends at the same height as the bias cut shaft.



6. Installing the roof terminal and pitched roof tile

- Lay the pitched roof tile onto the slanted shaft and cover the surrounding tiles.
- Insert the UV resistant black inner pipe into the shaft in the roof terminal. The inner PPs pipe connects to the final socket. Outside, the sliding shoe sits tightly on the pitched roof tile. Position vertically.
- Cut the PPs pipe approx. 5 cm above the chimney cap and trim.
- Caution: The sockets of PPs flues must not be located in the area surrounding the chimney cap!
- Use of the UV resistant pipe (black) is essential.



7. Installing the connecting T-piece

- The connecting T-piece is comprised of an outer jacket and an 87° plastic bend. Connect the PPs socket to the flue in the ceiling terminal. The air-inlet socket slides over the outer jacket of the ceiling terminal.
- If required, have counter-pressure applied on the terminal end!
- Position the connecting T-piece horizontally in line with the coupler of the heating appliance that is to be connected.
- Insert the connecting T-piece tightly into the ceiling terminal. Use the 3 tapping screws included here. This holds the vertical pipe in place. A stopper should be used when pre-drilling so that the PPs flue is not damaged.

Important steps after finished installation

- Apply the approval sticker close to the ceiling terminal so that it can be read easily.
- Provide the chimney sweeper responsible for your district with the installation documents and approval certificate.
- Before filling the ceiling with plaster, apply a sidewall to the shaft.
- The surface of SKOBIFIX nano®/ XXs® 30 can be processed as you wish. Due to the linear scale invariance of the foam ceramic material, stucco, drywall or tiles may be applied directly to the shaft.
- Pay attention to related expansion joints if contact is made with other construction components. Pitched roof tile with lead skirt.